



FastFind MaxG Personal Locator Beacon

The FastFind MaxG brings added endurance to safety with 48 hour operational battery life at temperatures as low as -20°C.



FastFind MaxG Personal Locator Beacon

The battery packs have a five year storage life and are easily user replaceable.

The FastFind MaxG's integral state-of-the-art multi-channel GPS receiver gives search and rescue services your precise co-ordinates with regular updates. A green LED will start to flash, showing that a GPS position fix has been acquired. The MaxG PLB is waterproof to 10m and bouyant. It is supplied complete with lanyard and carry pouch.

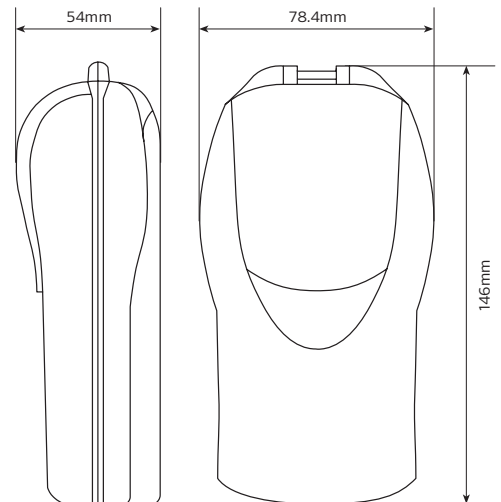
Carrying the FastFind could not be simpler. Supplied with a strong but flexible lanyard cord and a smart carry pouch, the PLB is easy and convenient to carry with you at all times.



- Internationally approved
- Compact and lightweight
- Waterproof to 10 metres
- Buoyant
- Transmits on 406 and 121.5 MHz
- Global emergency alerting via Cospas-Sarsat satellites
- Integral state-of-the-art multi-channel GPS
- Minimum of 48 hours continuous operation
- Simple three stage activation
- Carry pouch and lanyard included
- 60 comprehensive diagnostic and self-tests during battery life
- 5 year battery life
- User replaceable battery
- 5 year warranty

Technical Specifications

Standards	Cospas-Sarsat T.001/T.007 class2, RTCM SC110 STD 11010.2, ETSI EN 302-152-1, AS/NZS 4280.2, NSS-PLB06
Sealing depth	Immersion to 10m (30ft) for 5 mins
Operating temperature	-20 to +55°C (-4 to +131°F)
Storage temperature	-30 to +70°C (-22 to +158°F)
Altitude	18,300m (60,000ft)
Buoyancy	Category 1, will float
Battery type	Lithium metal
Transmit duration	48 hours minimum @ -20°C
Battery life (storage)	5 years
Battery replacement	User replaceable
Frequency	406.040MHz (alert) / 121.5MHz (homer)
Power	> 5W (alert) / > 50mW (homer) nominal
Unique ID Number	Factory or dealer programmed
GPS Type	50 channel, ceramic patch antenna
Size (D x W x L)	54 x 78.4 x 146mm (2.12 x 3.08 x 5.74in)
Weight	300g (10.6oz)
Indicator Light	LED, Red/Green
Activation	Manual, three stage
Self-test	Tests transmitters, battery and lights



info@mcmurdogroup.com

www.mcmurdogroup.com

Service & Support

For service and support, please contact your local distributor or service agent by visiting <http://www.mcmurdomarine.com/find-a-service-centre>



McMurdo Group – The industry's first end-to-end life-saving and tracking solutions provider
Distress Beacons • Satellite Connectivity Infrastructure • Monitoring/Positioning Software • Emergency Response Management